



High-Sensitivity, Low-Pressure Design
IP67 Integral Deutsch 2- and 3-Pin



DESCRIPTION

IP67 Integral Deutsch connector for maximum environmental protection.

Equipped with either a 2- or 3-pin Deutsch connector and compliant with IP67 standards, our 785 pressure switch is a miniature diaphragm-operated design for applications requiring high sensitivity operation. This unique model thrives in tough environments containing oil, fuel, water, dust, vibration or shock.

FEATURES

- Fixed pressure
- Diaphragm
- IP67 compliant
- Integral pressure port snubbing
- NEMA Type 4 rating

APPLICATIONS

- Off road equipment
- Industrial OEM equipment
- Train braking systems
- Packaging equipment
- Compactors
- Compressors
- Fuel systems
- Pneumatic systems

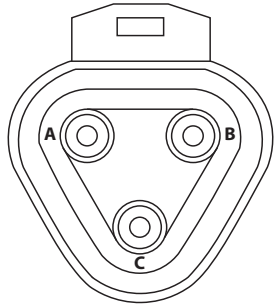
STANDARD SPECIFICATIONS

Pressure Connection	Electrical	Electrical Connection	Seal Materials	Materials	Temperature Range	Shipping Weight
1/4"-18 NPT	Snap-action Electrical Switch Listed by UL and CSA	Single Pole Single Throw (SPST)	Fluorosilicone	Hydraulic Module Housing 303	-40°F to + 250°F	Approximately 3 oz
1/8"-27 NPT				Stainless Steel	-40°C to + 120°C	
9/16"-18 UNJF-3A	At 28 VDC: 7 Amps Resistive; 4 Amps Inductive; 2 1/2 Amps Lamp	Single Pole Double Throw (SPDT)	Contact Factory	Electric Module Housing	(Temperature Range Change with Diaphragm Material Selection)	
Options Available				Polyphenylene Sulfide (PPS)		
Gold Contact Switches available for dry circuit applications						

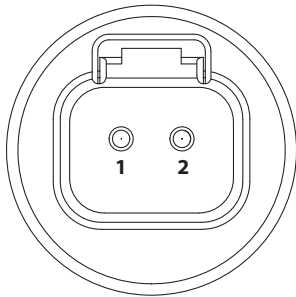
OPERATING PRESSURE DATA

Series	Range Indicator	Pressure Range		Dead Band*		Max System Pressure		Proof Pressure	
		PSIG	BAR	PSIG	BAR	PSIG	BAR	PSIG	BAR
785	3	7 - 160	0.48 - 11	2 / 8	0.14 / 0.55	500	34	1000	69

*Interpolate for intermediate pressures

WIRING CONFIGURATION GUIDE


3-PIN					
	#	A	B	C	#
200 psi & Above	01	NC	G	NO	07
	02	NO	NC	G	08
	03	G	NO	NC	09
	04	NC	NO	G	10
	05	G	NC	NO	11
	06	NO	G	NC	12



2-PIN				
	#	1	2	#
200 psi & Above	21	G	NC	23
	22	NO	G	24
	37	G	NO	39
	38	NC	G	40

NO = Normally Open
NC = Normally Closed
G = Ground (Common)

ORDERING SEQUENCE
Series

- 785 - Set pressures between 7 and 160 PSIG
- See Operating Pressure data table

Pressure Connection

- 6 - 9/16"-18 UNJF-3A (MS33656-E6)
- 2 - 1/4"-18 NPT (Male)
- Consult factory for metric and additional configurations

Pressure Range Number

- See Operating Pressure data table

Type

- DT - IP67 Integral Deutsch

Electrical Wiring

- See Wiring Configuration Guide

Set Pressure to be Held on

- R - Rising Pressure
- F - Falling Pressure

Set Pressure

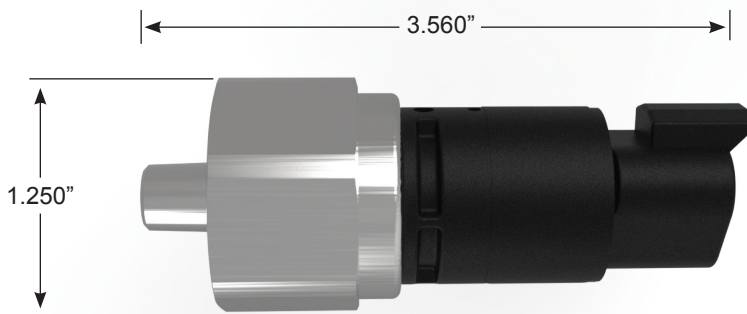
- Specify factory set pressure in 4-place PSIG (Example: 0060 for 60 PSIG)

Diaphragm

- L - Fluorosilicone
- Consult factory for other available materials

Special Items

- Pressure connection
- Diaphragm materials
- Gold electrical contacts for low current applications
- Consult rep or factory for special items and configurations

ENVELOPE DIMENSIONS

ORDERING PROCEDURE

Series Number	Pressure Port	Range Indicator	Electrical Connector	Electrical Wiring	Set Pressure Held On	Set Pressure	Diaphragm
785	6	3	DT	07	F	0060	L
	6 = 9/16"-18 UNJF-3A	3 = 7-160 PSIG	DT = IP67 Integral Deutsch	07 = SPDT 3-Pins	F = Falling Pressure	60 PSIG	L- Fluoro-silicone

*Insert available option number or letter as required

Example: 785.63-DT07F-0060L