

FIXED SETTING DIAPHRAGM SWITCH FOR LOW PRESSURE: 3-125 PSIG & VACUUM SENSING: 3-26" Hg



The **Model 768-V** diaphragm pressure switch is ideal for low pressure applications that require high electrical capacity. The Delrin® housing makes this switch an excellent choice where sterilization and cleanliness are necessary. The compact size eases space requirements.

FEATURES

- Low Hysteresis
- Accuracy
- Repeatability
- Wide Range of Media Compatibility
- NEMA Type 2 rating

APPLICATIONS

- Emission/Air Quality Monitoring
- Load Monitoring
- Water Systems

STANDARD SPECIFICATIONS

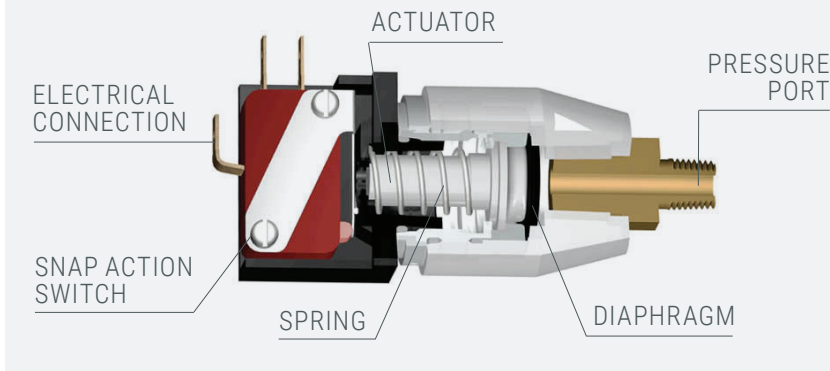
Pressure Connection	Electrical	Electrical Connection	Seal Materials	Materials	Temperature Range	Shipping Weight
1/8"-27 NPT (Male)	10 Amps 115-230 VAC; 10 Amps Resistive 28-32 VDC	3/16" QuickConnect Slip-on Terminals	Nitrile (Buna-N) "O" Ring	Hydraulic Housing Delrin®	-40°F to +160°F	Approximately 4 oz.
1/4"-18 NPT (Male)	10 Amps Inductive 24 VDC; 5 Amps Inductive 36 VDC					
Available in Brass and Stainless Steel	4 Amp Lamp Load 30 VDC	Options Available	Fluorocarbon (Viton™)	Electric Module Anodized Aluminum	-40°C to +71°C	

OPERATING PRESSURE DATA

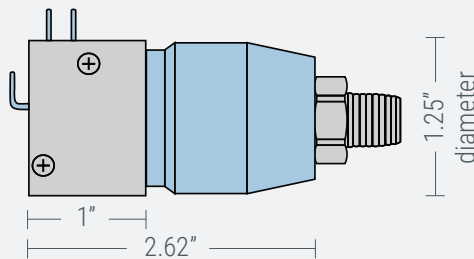
Series	Range Number	Pressure Range	Tolerance on Set Pressure*	Dead Band*	Max System Pressure	Proof Pressure
768-V	Hg - *	3" Hg - 26" Hg	±0.5 / ±1.5" Hg	1.0" / 3.0" Hg	10 PSIG	15 PSIG
	- *	3 - 125 PSIG	±1.0 / ±2.5 PSIG	1.5 / 6.0 PSIG	150 PSIG	225 PSIG

*Interpolate for intermediate pressures

BASIC PRINCIPLES OF DESIGN



ENVELOPE DIMENSIONS



ORDERING PROCEDURE

SERIES NUMBER	PRESSURE PORT	PORT MATERIAL	FACTORY SET PRESSURE SWITCH	ELECTRICAL CONNECTOR	SET PRESSURE HELD ON	SET PRESSURE	DIAPHRAGM MATERIAL
768	1	1	V	03	F	0125	N
	1 = 1/8"-27 NPT (Male)	1 = Brass	High Electrical Capacity	03 = SPDT - 3 Terminal Tabs	F = Falling	155 PSIG	N = Nitrile (Buna-N)

*Insert available option number or letter as required

Example: 768.11-V03F-0125 N

ORDERING PROCEDURE FOR VACUUM SWITCH

SERIES NUMBER	PRESSURE PORT	PORT MATERIAL	FACTORY SET PRESSURE SWITCH	ELECTRICAL CONNECTOR	SET PRESSURE HELD ON	VACUUM SWITCH	SET PRESSURE	DIAPHRAGM MATERIAL
768	1	1	V	03	F	Hg	008.5	N
							8.5" Mercury	

*Insert available option number or letter as required

Example: 768.11-V03F-Hg008.5 N

ORDERING SEQUENCE

SERIES

- 768 - Diaphragm Pressure Switch set points between 26" Hg vacuum and 125 PSIG

PRESSURE CONNECTION

- 1 - 1/8"-27 NPT (Male) - Standard
- 2 - 1/4"-18 NPT (Male)

PRESSURE CONNECTION MATERIAL

- 1 - Brass
- 2 - Stainless Steel

TYPE

- V - High Electrical Capacity Fixed Setting Pressure Switch

ELECTRICAL CONNECTION

- V03 - SPDT - 3 Terminal Tabs with #8-32 "SEMS" Screws
- V33 - SPDT - 3 #18 AWG Standard lead wires, 10" long
- V35 - SPDT - 3 #18 AWG conductor cable PVC insulation and jacket, 24" long
- Other Options Available

SET PRESSURE TO BE HELD ON

- R - Rising Pressure or RHg for increasing vacuum
- F - Falling Pressure or FHg for decreasing vacuum

SET PRESSURE

- Specify factory set pressure in 4-place PSIG (Example: 0100 for 100 PSIG)

DIAPHRAGM MATERIALS

- N - Nitrile (Buna-N) - Standard
- V - Fluorocarbon (Viton™)
- Options Available
- Consult factory for other available materials and specials